

Warewashing

Single rinse Rack Type dishwasher, 100 racks/hour, electric

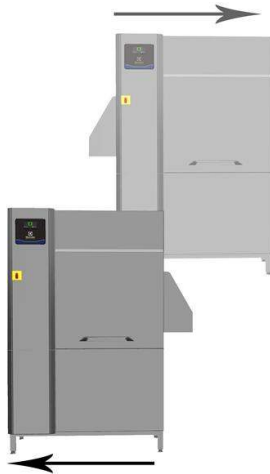
ITEM # _____

MODEL # _____

NAME # _____

SIS # _____

AIA # _____


534058 (ESR10E5)

Single Rinse Rack Type Dishwasher, 100 racks/hour, electric, touch screen, insulated doors, customized direction on-site, 50Hz

534410 (ESR10E6)

Single Rinse Rack Type Dishwasher, 100 racks/hour, electric, touch screen, insulated doors, customized direction on-site, 60Hz

Short Form Specification

Item No.

Unit to be single rinse rack type dishwasher. Single rinse with built-in stabilized pressure valve ensures the right rinsing pressure for optimum hygiene results. Maximum Water Contact (MWC) wash arms are positioned along the full length of the wash tank. Powerful wash pump and specially designed wash spray arms guarantee cleaning. Washing is done with water circulating at 55-65°C. Final rinsing is done with clean water heated up to 85°C. Low rinse water consumption of 1.5 liter per rack at maximum speed of 100racks/hour. Once conveyor speeds of 100 racks per hour. Intuitive touch screen control panel provides easy communication on different levels. Large counter-balance door has heat and noise insulation with easy internal access. Operating direction of the machine is decided by customer on-site depending on the layout flow with pre-arranged right to left from the factory.

Main Features

- Maximum capacity per hour of 100 racks.
- One conveyor speed can be selected through the control panel by the operator.
- Intuitive touch screen control panel features user-friendly display to easily operate the machine and to monitor machine status. Three different levels of interaction are available each show relevant messages and information to the operator, the general maintenance staff and the authorized service partners.
- All internal components: wash and rinse arms, tank filters, curtains can be easily removed for cleaning.
- Large counter balanced inspection door allow unrestricted all-round access to the wash and rinse area. Door is insulated with injected foam. This adds strength as well as reduces noise and heat loss.
- IP25 protection against water jets, solid objects and small animals (larger than 6 mm).
- Adjustable feet for full access underneath the machine for cleaning.
- Unit equipped with USB port making it simple to read data such as machine identification, counters and consumption, components, devices and alarm logs. Machine parameters can be uploaded and downloaded and firmware updated.

Construction

- Deep drawn pressed wash tank with fully rounded corners, sloped towards the drain to prevent dirt buildup, provides fast drainage in just a few minutes. With no welding points the pressed tank offers a guaranteed water tight solution.
- Dishwasher structure is held together with a solid 50 x 50 mm stainless steel frame to provide long-term sturdiness.
- All electric components are put in one IP65 central box isolated from water and steam to ensure high reliability.
- External pre-arrangement for inlet water, drain water, detergent & rinse aid connections for fast and easy installation on both sides of the unit.
- The unit is built on modularity concept for easy to add dryer module on-site.
- All main components made in heavy duty anti-corrosive 304 type stainless steel: external front, side panels and internal chambers, wash and rinse arms, doors and rack transportation system.
- The feeding direction is right to left as pre-arrangement from the factory, but it can be simply reversed on-site to left to right.

Sustainability

- Single rinse with stabilized pressure valve guarantees rinse water consumption of 1.5 liters/rack regardless of inlet water pressure to ensure low energy, water, detergent and rinse aid consumption.
- Built-in stabilized pressure valve ensures constant pressure throughout the rinsing cycle regardless of inlet water pressure.

APPROVAL: _____



- Auto-start/stop equipped in different zones ensures that the zone runs only when a rack is passing through it. This reduces water, energy, chemical consumption and noise.
- All chambers without internal pipes and therefore no hidden dirt traps.
- Self-draining vertical wash pumps provide maximum hygiene.
- Automatic back-up mode is activated when a failure occurs. Guided troubleshooting for fast fixes including 150 precises notifications and 23 easy-to-follow processes.

Optional Accessories

- Medium hot air blower zone without door for single rinse Rack Type dishwasher, 50Hz & 60Hz PNC 534059
- Corner drying zone for Single Rinse Rack Type Dishwasher, 50Hz & 60Hz PNC 534411
- ESD for single-rinse Rack Type dishwasher, electric PNC 864478
- Connection bracket for plain undershelf and grid undershelf (to be used if roller conveyor is connected directly to Rack Type Dishwasher with splash hood) PNC 865235
- HACCP cable connection for Rack Type dishwasher PNC 865490
- Kit of hot water softener for Rack Type dishwasher PNC 865495
- Splash hood kit for single and dual rinse Rack Type Dishwasher, 200 mm PNC 865498
- Silicon curtains for single and dual rinse Rack Type dishwasher PNC 865503
- Set of 6 baskets: 2 for trays, 2 for plates, 1 for cutlery and 1 for cups PNC 867050
- Set of 9 baskets: 2 for trays, 3 for plates, 2 for cutlery and 2 for cups PNC 867051
- Ethernet board (NIU-LAN) for green&clean Rack Type Dishwashers PNC 922696

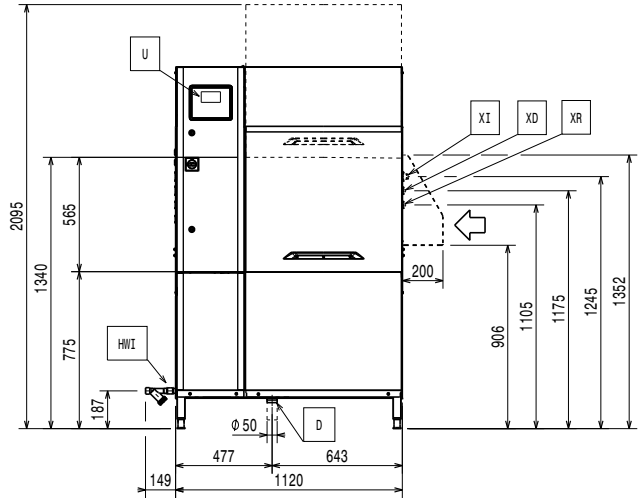
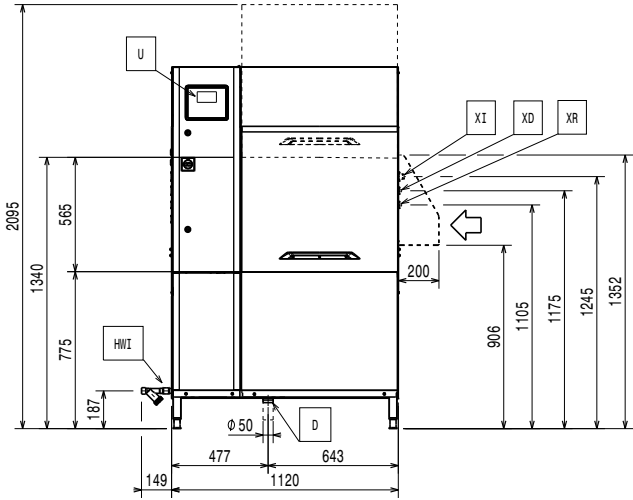


Electrolux
PROFESSIONAL

Warewashing
Single rinse Rack Type dishwasher,
100 racks/hour, electric

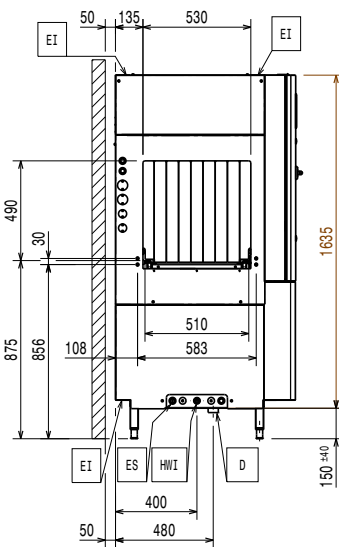
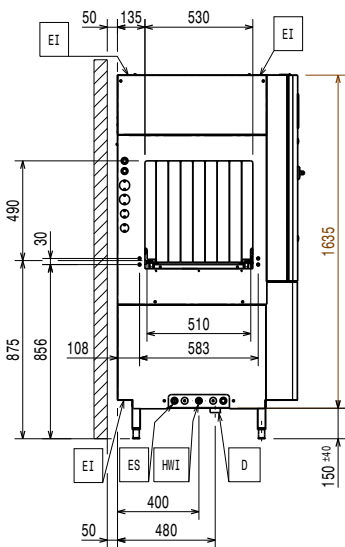
Front

Front



Side

Side

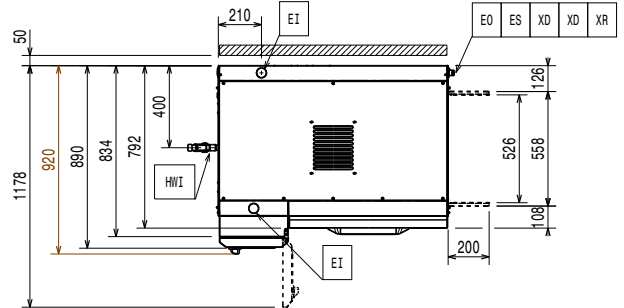
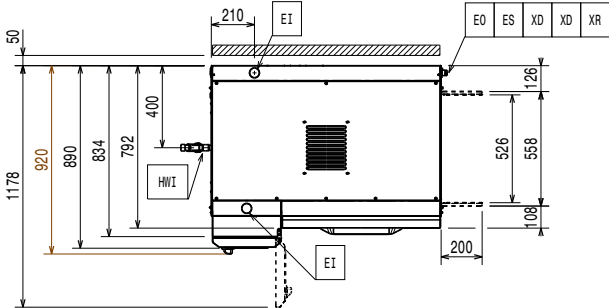


- D = Drain
- EI = Electrical inlet (power)
- EO = Electrical Outlet
- EQ = Equipotential screw
- ES = Electrical signal IN/OUT
- HWI = Hot water inlet
- U = USB port

- D = Drain
- EI = Electrical inlet (power)
- EO = Electrical Outlet
- EQ = Equipotential screw
- ES = Electrical signal IN/OUT
- HWI = Hot water inlet
- U = USB port

Top

Top



Electric
Supply voltage:

| | |
|-------------------------|-----------------------|
| 534058 (ESR10E5) | 380-415 V/3N ph/50 Hz |
| 534410 (ESR10E6) | 380-415 V/3N ph/60 Hz |

Default Installed Power: 25.2 kW

Boiler heating elements: 12 kW

Wash pump size: 1.18 kW

Wash tank heating elements: 12 kW

Water:

Flow rate of wash pump: 400 l/min

Inlet hot water line size: G 3/4"

Inlet cold water line size:

Drain line size: 50mm

Inlet water supply pressure: 1.5-7 bar

Inlet water supply temperature (wash and rinse): 50 - 65°C

The higher the temperature, the faster the warm up. When there is ESD option installed, the machine should be connected to cold water up to 30°C.

Inlet water supply hardness: 0 °fH / 0°dH

When below 7°fH/4°dH special detergent and rinse aid are needed.

Wash tank size: 70 l

Key Information:

Wash Temperature: 55 - 65 °C

Productivity per hour (max speed): 100racks/1800dishes

Final rinse temperature: 85 °C

External dimensions, Width: 1120 mm

External dimensions, Width: 44 1/16" (1120 mm)

External dimensions, Depth: 920 mm

For transportation purpose only, the depth can be reduced to either 890mm by removing the main switch button or 792mm by removing the control box and the door handle.

Height with door open: 2095 mm

Charging hole size (width): 530 mm

Charging hole size (height): 490 mm

Shipping height: 1970 mm

Shipping width: 1060 mm

Shipping depth: 1260 mm

Shipping volume: 2.63 m³

Reference norm used to measure the noise: IEC60335-2-58 annex AA.

Table to table distance: 1120 mm

Air Emission:

Air flow (top, exit): 107 / 107 m³/h

Air temperature: 45 - 45 °C

Air humidity (top, exit): 100 / 100 % r.h.

The data is measured at exhaust points at 25°C and 60% r.h. ambient conditions, 18°C inlet water temperature and refer only to the machine.

Latent heat: 8800 W

Sensible heat: 4500 W

This model requires a ventilation hood. Please refer to the attached "Recommended Exhaust Hood Design"

Sustainability

Rinse water consumption at max speed (l/rack): 1.5 lt/rack

Rinse water consumption at max. speed (l/h): 150 l/h

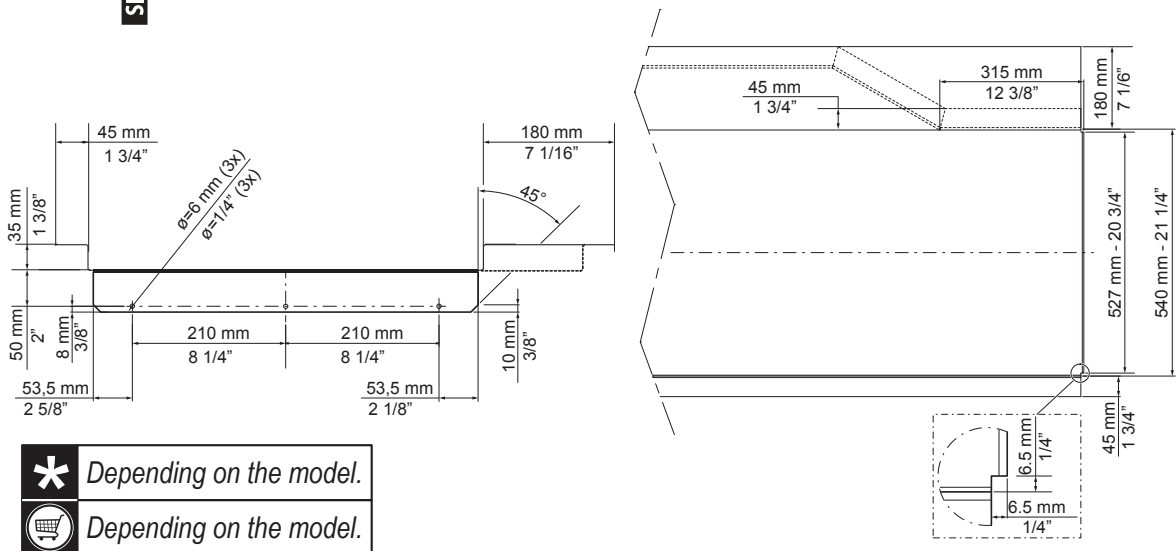
Noise level: <62 dBA

RECOMMENDED TABLE CONNECTION



SILICONE

! Apply silicone between the machine and the table and make sure that there are not any water leakages. Reference code 059611 for recommended silicone by Electrolux.



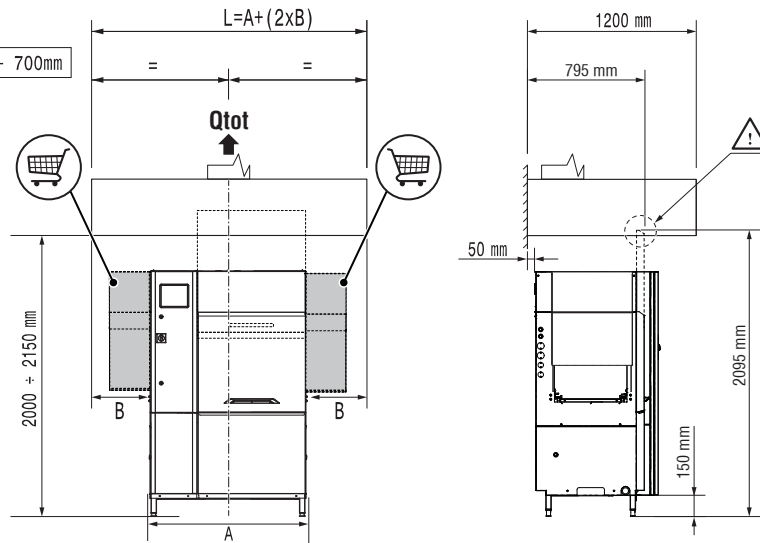
***** Depending on the model.
! Depending on the model.

All tables must be connected to the dishwashing units according to local regulations and industry standards which may differ from the recommendations herein suggested. Electrolux Professional is not liable for any failure in complying with local design standards.

RECOMMENDED HOOD DESIGN OPTIONS

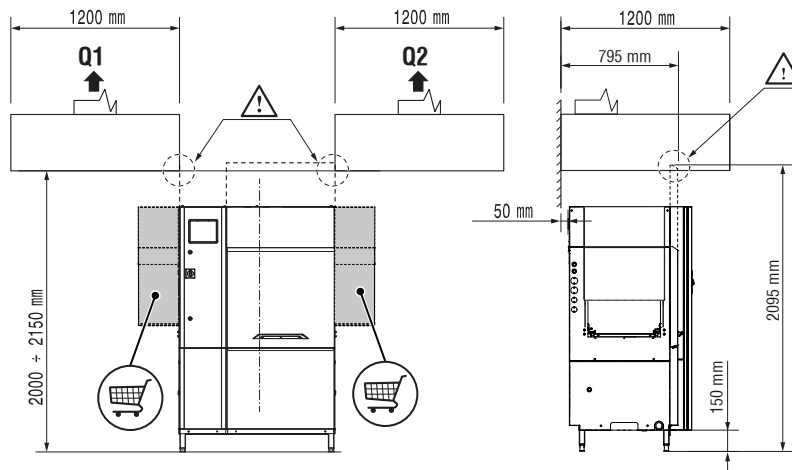
NO ESD = ✓
ESD = ✓

| Qtot (VDI 2052) | |
|--------------------------|-----------|
| 100 r/h no ESD no Dryer | 1100 m³/h |
| 100 r/h ESD no Dryer | 1350 m³/h |
| 100 r/h no ESD + 1 Dryer | 1200 m³/h |
| 100 r/h ESD + 1 Dryer | 1550 m³/h |



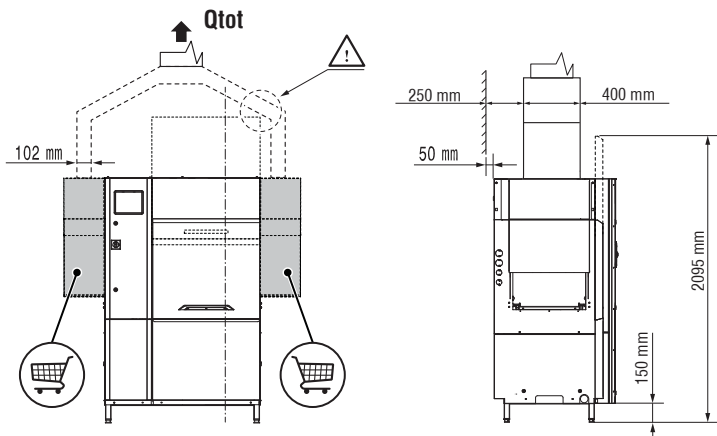
NO ESD = ✓
ESD = ✗

| Qtot (VDI 2052) | |
|--------------------------|-----------|
| 100 r/h no ESD no Dryer | 1100 m³/h |
| 100 r/h ESD no Dryer | 1350 m³/h |
| 100 r/h no ESD + 1 Dryer | 1200 m³/h |
| 100 r/h ESD + 1 Dryer | 1550 m³/h |



NO ESD = ✓
ESD = ✗

| Qtot (VDI 2052) | |
|--------------------------|-----------|
| 100 r/h no ESD no Dryer | 1100 m³/h |
| 100 r/h ESD no Dryer | 1350 m³/h |
| 100 r/h no ESD + 1 Dryer | 1200 m³/h |
| 100 r/h ESD + 1 Dryer | 1550 m³/h |



All exhaust hoods must be dimensioned and installed according to local regulations and industry standards which may differ from the recommendations herein suggested. Electrolux Professional is not liable for any failure in complying with local design standards.

DOC. NO. 59566QF00
EDITION 09.2019